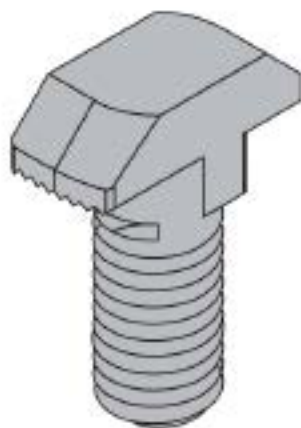


M8
M8
M8
M8
M8
M8



Description	Dia.	Weight(g/pc)	Material	Order Numbers
6-M8 Hammer-type bolt 6-M8	M8x16	10.30	Nickel-plated carbon steel	8.18.08.M8x16
6-M8 Hammer-type bolt 6-M8	M8x20	11.33	Nickel-plated carbon steel	8.18.08.M8x20
6-M8 Hammer-type bolt 6-M8	M8x25	12.63	Nickel-plated carbon steel	8.18.08.M8x25
6-M8 Hammer-type bolt 6-M8	M8x30	13.93	Nickel-plated carbon steel	8.18.08.M8x30
6-M8 Hammer-type bolt 6-M8	M8x35	15.23	Nickel-plated carbon steel	8.18.08.M8x35
6-M8 Hammer-type bolt 6-M8	M8x40	16.53	Nickel-plated carbon steel	8.18.08.M8x40

